

# TECHNICAL DATA

PAVER

BF 200 C-2



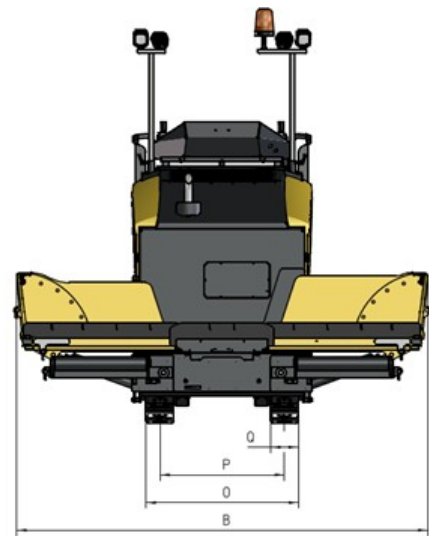
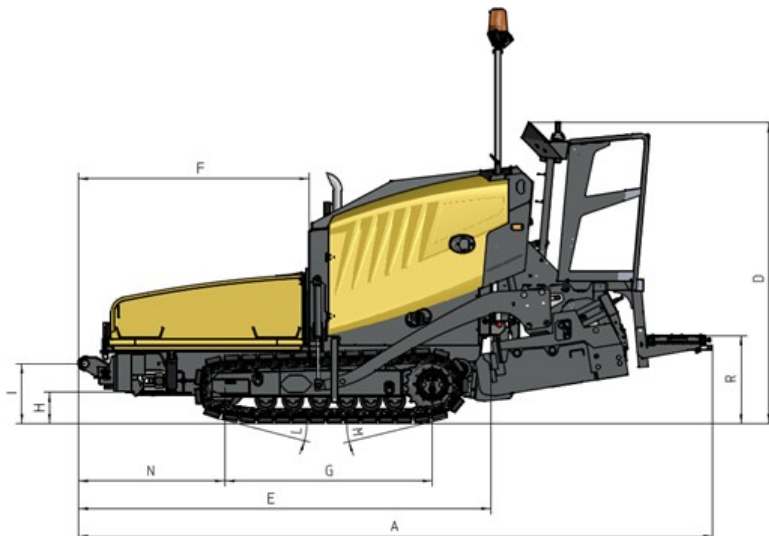
Greatest durability



Shorter set-up times



Exemplary efficiency



**Dimensions in mm**

	A	B	D	E	F	G	H	I	L	M	N	O	P	Q	R
<b>BF 200 C-2</b>	4600	2980	1995-2195	2986	1671	1500	228	433	14°	14°	1061	1100	900	200	458-658



Two level platform concept - best view without compromises.



Compact and agile - unique recipe for full flexibility.



Save up to 20 % fuel – demand-driven hydraulics – with BOMAG ECOMODE.



Heats up nearly 60 % quicker – unique MAGMALIFE heating system.

**Technical Data****BOMAG  
BF 200 C-2****Weights**

Operating weight CECE kg 6.000

**Dimensions**

Transport length mm 4.270  
Transport width mm 1.300  
Transport height mm 1.995

**Travel characteristics**

Travel speed km/h 0-4,5 variable  
Working speed m/min 0-29 variable

**Drive**

Engine manufacturer Kubota  
Type V3307-CR  
Emission stage Stage V / TIER4f  
Cooling liquid  
Number of cylinders / Displacement cm<sup>3</sup> 4 / 3.330  
Performance kW / hp 55,4 / 74,3  
Speed min-1 2.200  
Performance ECOMODE (1.570 min-1) kW / hp 43,3 / 58,9  
Performance ECOMODE (1.800 min-1) kW / hp 48,6 / 66,1

**Hopper**

Capacity m<sup>3</sup> 2,0  
Width (wings open) mm 2.980  
Width (wings close) mm 1.300  
Length mm 1.400  
Filling height (middle) mm 433

**Conveyor**

Number 1  
Rotary speed m/min 33  
Individual control no  
Reversing operation Standard

**Auger**

Number 2  
Auger diameter mm 300  
Rotary speed min-1 87  
Reversing operation Standard

**Screed**

Basic width retracted mm 1.100  
Basic width extended mm 2.000  
Min. width with reduction skids mm 400  
Mat thickness mm 200  
Screed plate depth mm 250  
Screed plate thickness mm 10  
Heating electric  
Crown % -2,0 ... +4,0  
Tamper frequency Hz max. 30  
Vibration frequency Hz max. 60  
Basic weight (TV/V) kg 790 / 700  
Max. working width mm 3.400

**Filling capacities**

Fuel l 80  
Hydraulic oil l 60

Technical modifications reserved. Machines may be shown with options.

## Standard Equipment

### Operator compartment

- Dashboard protection
- Digital display for machine management
- SIDEVIEW with a double steering and travel joystick

### Tractor

- ECOMODE
- Push rollers
- Separate control of hopper wings
- 2 proportionally controlled and reversible wear-resistant cast augers; screw blades separately replaceable
- Rubber track pads

### Screed

- Screed temperature control
- Mechanical screed lock
- Crown adjustment
- Side control of auger/scrapper belts

### Other

- Tools
- Three phase Generator

### Hopper

- Viewing tunnel

## Optional Equipment

### Operator compartment

- Two platform concept

### Tractor

- Integrated cleaning kit
- Asphalt steam extraction
- Optional paint finish
- Biologically degradable hydraulic oil
- Hydraulic, height adjustable auger
- Track scraper
- Direction rod

### Screed

- Hydraulic crown adjustment
- S 200 extensions: 350 mm
- MAGMALIFE Aluminium heating plates
- Heated side plates
- Reduction shoes

### Levelling systems

- L.C.S. Screed relief and traction increase system
- Height and cross-slope sensing by means of ultrasonic or mechanical sensors

### Other

- Fleetmanagement BOMAG TELEMATIC
- LED working lights
- Sunroof

### Hopper

- Hydraulic side flap

