

PERFORMANCE DATA

PAVER (TIER 3)

BF 300 P



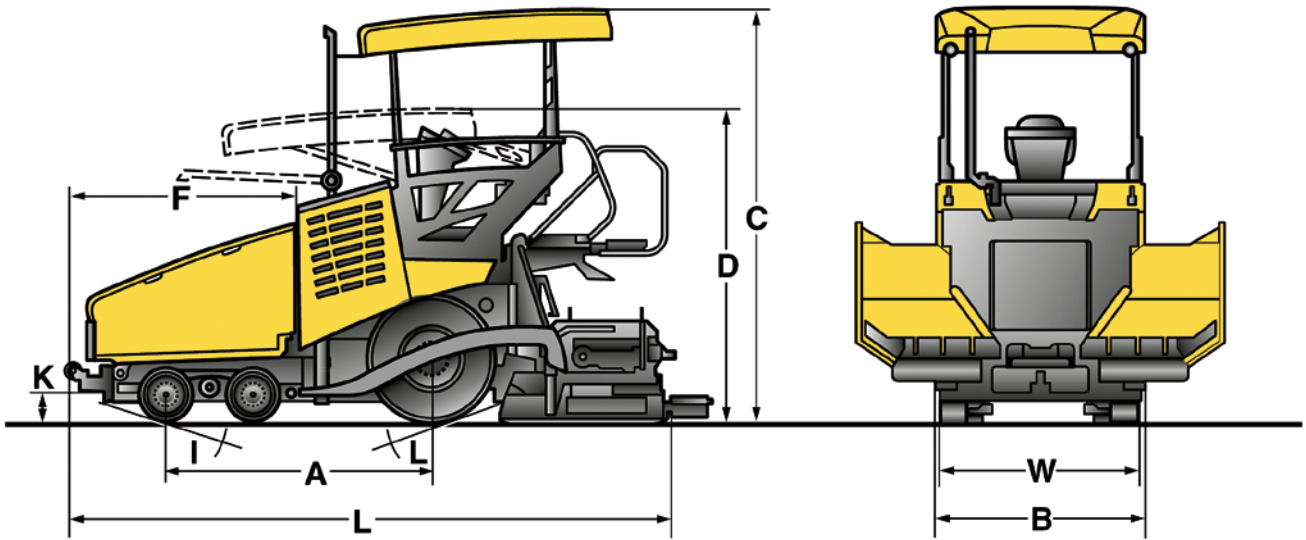
Greatest durability



Shorter set-up times



Exemplary efficiency



Dimensions in mm

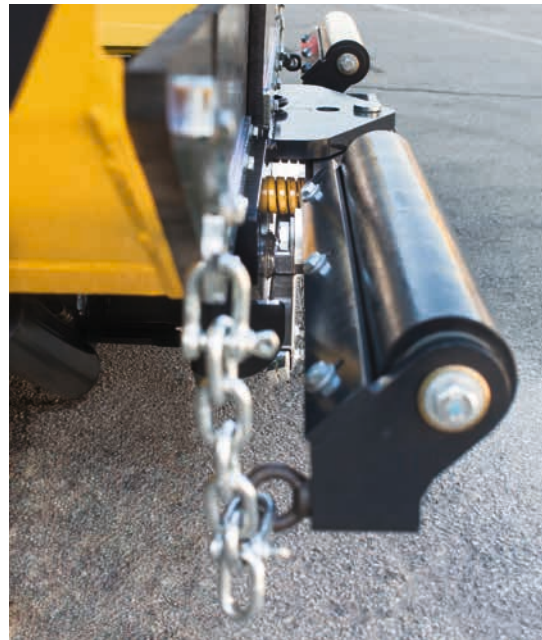
	A	B	H	H ₂	K	L	W
BF 300 P	2230	1740	3350	2600	170	4950	1700

Shipping dimensions in m³

BF 300 P, S 340-2 EV	22,394
BF 300 P, S 340-2 ETV	22,394



Optional weather protection – for maximum convenience.



Impact-free docking – dampened bumper.



Save up to 17 % fuel – demand-driven hydraulics – with BOMAG ECOMODE.



Heats up nearly 60 % quicker – unique MAGMALIFE heating system.

Technical Data

Weights

Operating weight CECE kg

Dimensions

Transport length mm
Transport width mm
Transport height mm
Inner track radius mm
Outer track radius mm

Travel characteristics

Travel speed (1) km/h
Travel speed (2) km/h
Working speed (1) m/min
Working speed (2) m/min

Drive

Engine manufacturer
Type
Emission stage
Cooling
Number of cylinders
Rated power ISO 3046 kW
Rated speed min⁻¹

Crawler assembly

Rear tyres
-Number
-Type
Front tyres
-Number
-Diameter mm
-Width mm

Hoppe

Capacity m³
Width (wings open) mm
Width (wings closed) mm
Length mm
Filling height (middle) mm

Scraper belt / auger

Quantity
Width mm
Rated speed m/min
Individual control
Reversing operation

Conveyor auger

->Number
->Auger diameter mm
->Rotary speed 1/min
->Reversing operation

Screed

Screed type
Basic width retracted mm
Basic width extended mm
Max. working width mm
Min. width with reducing skids mm
Mat. height mm
Smoothing plate depth mm
Smoothing plate thickness mm
Heating
Crown %
Tamper frequency Hz
Vibration frequency Hz
Basic weight kg

Filling capacities

Fuel l
Hydraulic oil l

Operating/control elements

Number of driver's seats
Side View
LCS System

BOMAG BF 300 P, S 340-2 EV

7780

4950
1740
2600
2385
4750

0-6,3
0-15
0-41
0-129

Kubota
V3307 T
Stage III a / TIER 3
Water
4
55,4
2200

2
13R22.5
4
470
280

4,8
3075
1740
1660
540

2
220
30
Standard
Standard

2
280
100
Standard

S 340-2 EV
1700
3400
4400
750
250
330
12
Electric
-3 ... +4,5
20-50
1500

100
80

1
Standard
Standard

BOMAG BF 300 P, S 340-2 ETV

8000

4950
1740
2600
2385
4750

0-6,3
0-15
0-41
0-129

Kubota
V3307 T
Stage III a / TIER 3
Water
4
55,4
2200

2
13R22.5
4
470
280

4,8
3075
1740
1660
540

2
220
30
Standard
Standard

2
280
100
Standard

S 340-2 ETV
1700
3400
4400
750
250
330
12
Electric
-3 ... +4,5
0-30
20-50
1720

100
80

1
Standard
Standard

Standard equipment

- ECOMODE
- Lateral sea and platform adjustment, Side View System (pat.)
- GRP-roof, hydr. tiltable, 4-fold roof lighting
- L.C.S. Screed relief system
- Enhanced traction on soft ground
- Rear wheels 2 x 13R 22.5
- Individually controlled hopper wings
- Reversible and individually controlled scraper belts
- Reversible and individually controlled augers
- Continuous tamper and vibration adjustment
- Fully automatic screed heating
- Cast heating elements
- BOMAG central electrics, service and fault code display
- Remote control of material flow sensors from the lateral screed control panels
- Mechanical crown adjustment
- Electro-mechanical sensors for scraper belts
- Ultrasound sensors for augers
- Central lubrication for screed and auger

Optional equipment

- All-wheel drive
- Screed extension 30 cm, 50 cm (3.4 m to 5.0 m)
- Cleaning kit
- Hydr. auger lifting
- Ultrasound sensors for scraper belts
- Hydr. crown adjustment
- Optional paint finish
- Ultrasound or electro-mechanical levelling systems
- Cross-slope levelling system
- Electric side plate heating for screed S340E
- Automatic central lubrication system for screed and auger
- Spring-mounted pushing roller yoke

