

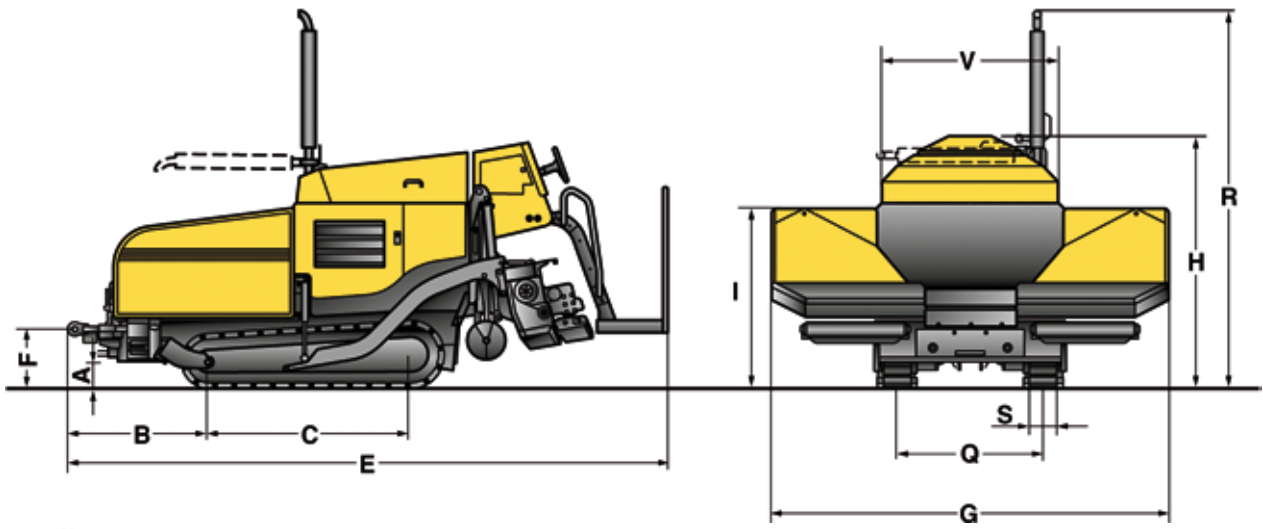


# PERFORMANCE

PAVER (TIER 3)

BF 223 C





**Loading measurements**

**L x W x H**

**BF 223 C** 4.065 x 1.430 x 1.895

**Measurements in mm**

	<b>B</b>	<b>C</b>	<b>E</b>	<b>F</b>	<b>G</b>	<b>H</b>	<b>I</b>	<b>Q</b>	<b>R</b>	<b>S</b>	<b>T</b>	<b>V</b>	<b>Z</b>
<b>BF 223 C</b>	1020-1100	1471	4365-4445	435	2905	1895	1320	1080	2755	200	405	1429	5100

**Shipping dimensions in m<sup>3</sup>**

**BF 223 C** 11,015



Ensures that the track trains have a smooth contact surface – the sturdy scraper.



The step plates can be folded up to save space when starting installation near obstacles – extendable to a width of 2.20 m.



Easy access to:

- central hydraulics
- pumps
- valves
- connections



Easy adaptation to various truck sizes.

## Technical data

## BOMAG BF 223 C

Max. Production.....	t/hr	200
Diesel engine.....	Type	Perkins PK404D-22
Emission stage.....	Type	Stage III a / TIER 3
Output (ISO 3046/1).....	kW (hp)	36,3 (49,4) at 2800 r.p.m.
Number of cylinders.....		4
Motor cooling.....		Water cooling
Crawler track.....	mm	200 x 1471 Rubber-BPL
Working speed.....	m/min	0-29
Drive speed.....	km/h	0-4,1
Hopper volume.....	m <sup>3</sup>	2,8
Scraper belt width.....	mm	440
Auger diameter.....	mm	280
Diesel tank capacity.....	l	110
Hydraulic tank volume.....	l	75
Screed type.....		HF
Screed compaction.....		Vibration
Screed heating.....		electric
Width of the basic screed.....	m	1,40-2,60
Max. placing width.....	m	4,00
Weight of the basic screed.....	kg	640
Smoothing plate width/thickness.....	mm	245/10
Operating weight.....	kg	5.100
Straight crossfall.....	%	-2 to +2,5
Max. effective amplitude.....	mm	200

Technical modifications reserved. Machines may be shown with options.

### Standard equipment

- Individual control of hopper wings
- Adjustable truck bumper rollers
- Reversible scraper belt, electromechanically controlled
- 2 reversible augers, electromechanically controlled
- Mechanical auger height adjustment
- Mechanical walk board adjustment
- Vibration setting infinite (960-3600 rpm)
- Crawler track with PLC travel, control and braking system
- 1 working speed range, 1 fast travel speed range
- 200 mm floor plates with rubber pads, individually screwed
- Diesel engine, 4 cylinder, 36.3 kW
- Electrically heated HF hydraulic screed with 1.4 - 2.6 m placing width
- Fully automated screed heating (electric heating)
- Hinged and telescopic food walk
- Reduction pads 500 mm

### Optional equipment

- Screed extensions BF 223 C electric screed: 3300 mm, 4000 mm
- Hydraulic auger height adjustment.
- Cleaning system with hose reel, pump and tank
- Levelling systems: Height and lateral sensing with ultrasonic or mechanical sensors

