

# PERFORMANCE DATA

PAVER (TIER 3)

BF 900 C



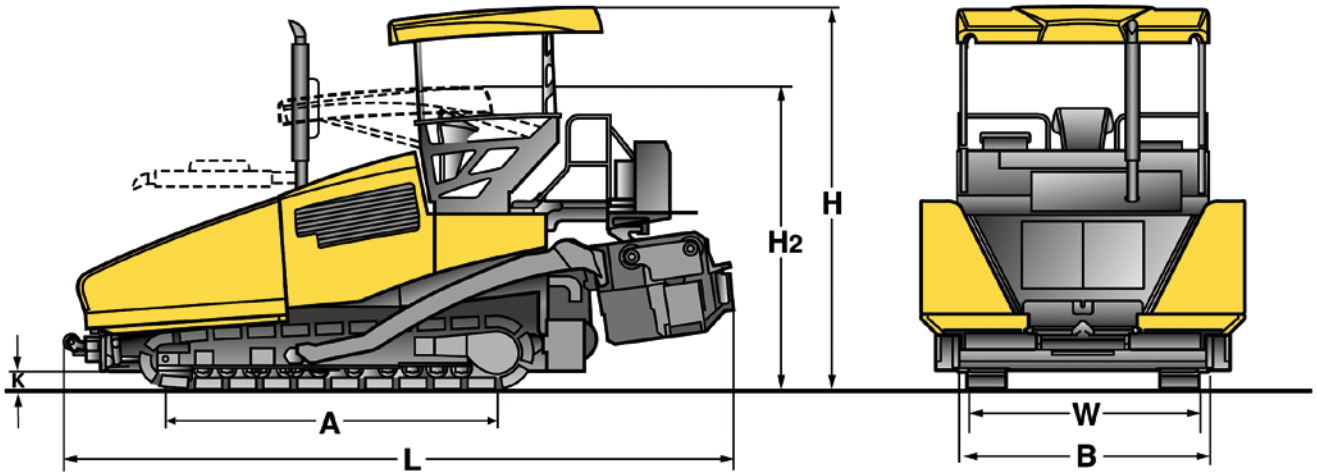
Greatest durability



Shorter set-up times



Exemplary efficiency



**Dimensions in mm**

	<b>A</b>	<b>B</b>	<b>H</b>	<b>H<sub>2</sub></b>	<b>L</b>	<b>W</b>
<b>BF 900 C S 500</b>	3360	2550	3865	3055	6800	2550
<b>BF 900 C S 600</b>	3360	3000	3865	3055	6800	3000

**Shipping dimensions in m<sup>3</sup>**

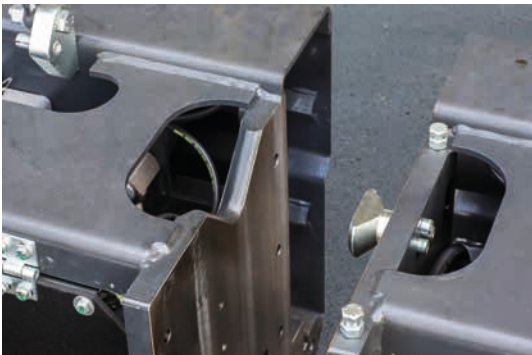
<b>BF 900 C S 500</b>	41,969
<b>BF 900 C S 600</b>	43,423



Save up to 17 % fuel – demand-driven hydraulics – with BOMAG ECOMODE.



Heats up nearly 60 % quicker – unique MAGMALIFE heating system.



Attaching is up to 48 % quicker – thanks to the BOMAG QUICK COUPLING SYSTEM.



The right position in each situation – the comfortable driver's cabin.

## Technical Data

### Weights

Operating weight CECE ..... kg

### Dimensions

Transport length ..... mm

Transport width ..... mm

Transport height ..... mm

### Travel characteristics

Travel speed (1) ..... km/h

Working speed (1) ..... m/min

### Drive

Engine manufacturer .....

Type .....

Exhaust classification.....

Cooling .....

Number of cylinders.....

Rated power ISO 3046..... kW

Speed ..... min<sup>-1</sup>

### Crawler assembly

Crawler track.....

-Axle base ..... mm

-Width..... mm

### Hopper

Capacity ..... m<sup>3</sup>

Width (wings open)..... mm

Width (wings closed)..... mm

Length ..... mm

Filling height (middle) ..... mm

### Scraper belt / auger

Number.....

Width ..... mm

Speed ..... U/min

Individual control.....

Reversing operation.....

### Conveyor auger

->Number.....

->Auger diameter ..... mm

->Rotary speed ..... U/min

->Reversing operation.....

### Screed

Screed type.....

Basic width retracted ..... mm

Basic width extended..... mm

Max. working width..... mm

min. width with reduction skids ..... mm

Mat thickness..... mm

Smoothing plate depth..... mm

Smoothing plate thickness..... mm

Heating .....

Crown ..... %

Tamper frequency..... Hz

Vibration frequency ..... Hz

Basic weight..... kg

### Filling capacities

Fuel..... l

Hydraulic oil..... l

## BOMAG BF 900 C S 500

21150

6800

2550

3055

0-4,5

0-25

DEUTZ

TCD 6.1 L6

Stage III a / TIER 3

water

6

160

2000

2700

300

7,2

3320

2250

2010

500

2

400

60

Standard

Standard

2

450

95

Standard

S 500

2550

5000

9000

1800

300

400

15

Electric

-2,5 ... +4,5

0-29

20-58

3900

315

160

## BOMAG BF 900 C S 600

21450

6800

3000

3055

0-4,5

0-25

DEUTZ

TCD 6.1 L6

Stage III a / TIER 3

water

6

160

2000

2700

300

7,2

3320

2250

2010

500

2

400

60

Standard

Standard

2

450

95

Standard

S 600

3000

6000

10000

2300

300

400

15

Electric

-2,5 ... +4,5

0-29

20-58

4200

315

160

### Standard equipment

- SIDEVIEW
- Driver's seat: with swivel and side-shift
- Protection; dashboard
- Hydraulic hinged roof
- Digital display for machine management
- Separate control of hopper wings
- Cleaning kit
- Hydraulic, height adjustable auger
- Track scraper
- L.C.S. Screed relief and traction increase system
- Screed temperature control
- Cast heating elements
- Automatic screed heating
- Hydraulic screed control
- Crown adjustment
- 6 work lights
- Side control of auger/scraper belts
- Tools
- Rubber track plates
- 30 kVA generator
- Socket 2x240 volt
- 2 proportionally controlled and reversible wear-resistant cast augers; screw blades separately replaceable
- 2 independent and reversible scraper belts; high-wear resistant plates

### Optional equipment

- Hydraulic hopper front flap
- Hydraulic/electric movable platform
- Hydraulic crown adjustment
- Hinged side plates
- Heated side plates
- Side windscreened platform
- Seat warmer
- Asphalt steam extraction
- Biologically degradable hydraulic oil
- Central lubrication system
- L.C.S. half-sided
- Optional paint finish
- S 500 + S 600 extensions:
  - 250 mm
  - 500 mm
  - 750 mm
  - 1250 mm
- Reduction shoe
- Edge shaper 45°/60°
- Light balloon
- Socket 2x240 volt
- Levelling systems:
- Height and cross-slope sensing by means of ultrasonic or mechanical sensors

