

# Pedestrian lowlifter truck 2.0 ton

## BT levio

*P-series*

LPE200



# Pedestrian lowlifter

Specification for lowlifter trucks					LPE200 6 km/h	LPE200 High performance
Identification	1.1	Manufacturer			BT	BT
	1.2	Model			LPE200	LPE200
	1.3	Drive			Electric	Electric
	1.4	Operator type			Pedestrian	Pedestrian
	1.5	Load capacity/rated load	Q	kg	2000	2000
	1.6	Load centre	c	mm	600	600
	1.8	Load distance, centre of support arm wheel to face of forks	x	mm	892	892
	1.9	Wheelbase, fork raised/lowered	y	mm	1310/1376	1310/1376
Weight	2.1	Service weight with battery		kg	600	620
	2.2	Axle load, with load, drive/castor/fork wheel		kg	550/410/1640	550/430/1640
	2.3	Axle load, without load, drive/castor/fork wheel		kg	350/120/130	350/140/130
Wheels	3.1	Drive/castor/fork wheel			Vulkollan/PU/Vulkollan	
	3.2	Wheel size, front		mm	Ø 215x70	Ø 215x70
	3.3	Wheel size, rear		mm	Ø 85	Ø 85
	3.4	Additional wheels (dimensions)		mm	Ø 125x40	Ø 125x40
	3.5	Wheels, number front/rear (x=driven wheels)			2-1x/4	2-1x/4
	3.6	Track width, front	b <sub>10</sub>	mm	474	474
	3.7	Track width, rear	b <sub>11</sub>	mm	370	370
Dimensions	4.4	Lift	h <sub>3</sub>	mm	120	120
		Lift height	h <sub>23</sub>	mm	205	205
	4.8	Stand height	h <sub>7</sub>	mm	150	150
	4.9	Height of tiller in drive position, min./max.	h <sub>14</sub>	mm	1065/1370	1065/1370
	4.15	Height, fork lowered	h <sub>13</sub>	mm	85	85
	4.19	Overall length	l <sub>1</sub>	mm	1827	1827
	4.20	Length to face of forks	l <sub>2</sub>	mm	677	677
	4.21	Overall width	b <sub>1</sub>	mm	726	726
	4.22	Fork dimensions	s/e/l	mm	78/180/1150	78/180/1150
	4.25	Width over forks	b <sub>5</sub>	mm	550	550
	4.32	Ground clearance, centre of wheelbase	m <sub>1</sub>	mm	30	30
	4.33	Aisle width for pallets 1000x1200 crossways	A <sub>st</sub>	mm	1813	1813
	4.34	Aisle width for pallets 800x1200 lengthways	A <sub>st</sub>	mm	2013	2013
4.35	Turning radius	W <sub>a</sub>	mm	1569	1569	
Performance data	5.1	Travel speed, with/without load		km/h	6,0/6,0	7,5/8,5
	5.2	Lift speed, with/without load		m/s	0,05/0,07	0,05/0,07
	5.3	Lowering speed, with/without load		m/s	0,08/0,09	0,08/0,09
	5.8	Max. gradeability, with/without load		%	8/18 <sup>1)</sup>	8/18 <sup>1)</sup>
	5.10	Service brake			electric	electric
Electric motor	6.1	Drive motor rating S2 60 min		kW	1,2	1,7
	6.2	Lift motor rating at S3 10%		kW	2,2	2,2
	6.4	Battery voltage/nominal capacity K <sub>s</sub>		V/Ah	24/225	24/225
	6.5	Battery weight		kg	210	210
Others	8.1	Type of drive control			BT Powerdrive	BT Powerdrive
	8.4	Sound level at the driver's ear acc to EN12 053		dB(A)	64	61

1) Measured according to company standard

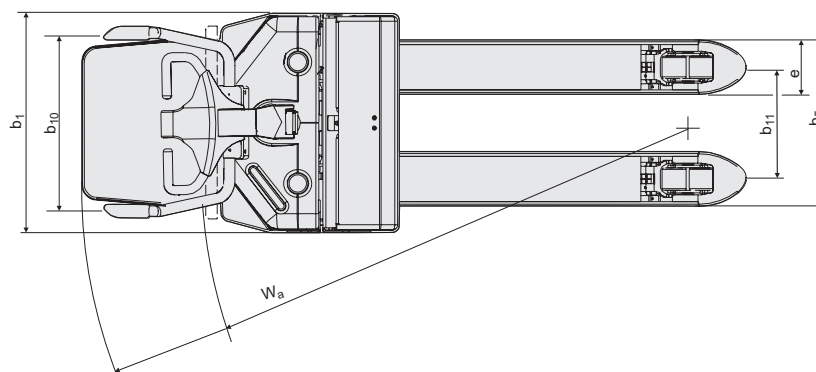
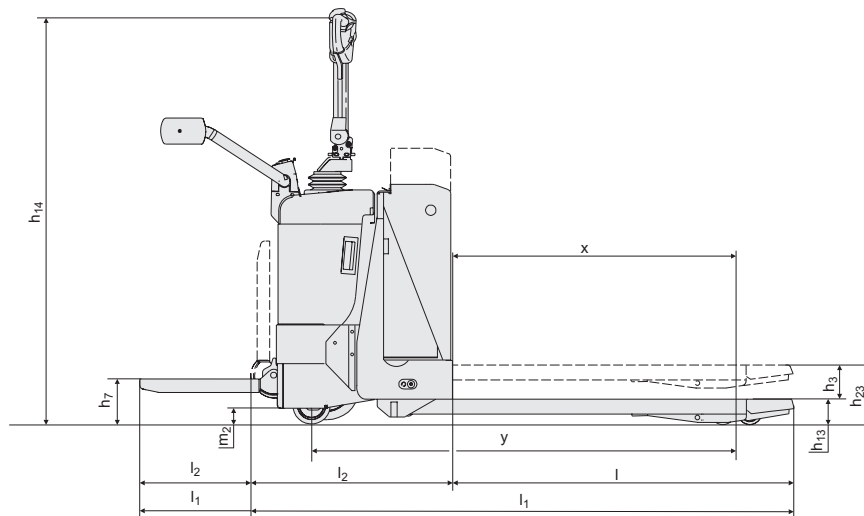
All data are based on table configuration. Other configurations may give other values. Truck performance and dimensions are nominal and subject to tolerances. Specifications are subject to change without notice.

Data is based on standard battery compartment, medium size, l = 1150 mm

# Battery dependent dimensions

# BT levio

Dimensions		LPE200						
		Battery change		Lift out		Sideways		
		Compartment		Medium	Large	Medium	Large	DIN
1.9	Wheelbase, fork raised/lowered	y	mm	1310/1376	1361/1425	1345/1409	1395/1459	1445/1499
4.20	Length to face of forks with platform up/down	$l_2$	mm	677/1051	725/1099	709/1083	759/1133	809/1183
4.33	Aisle width for pallets 1000x1200 crossways, with platform up/down	$A_{st}$	mm	1813/2187	1861/2235	1909/2283	1959/2333	2009/2383
4.34	Aisle width for pallets 800x1200 lengthways, with platform up/down	$A_{st}$	mm	2013/2387	2061/2435	2109/2483	2159/2533	2209/2583
4.35	Turning radius with platform up/down	$W_a$	mm	1569/1943	1617/1991	1665/2039	1715/2089	1765/2139
6.4	Battery voltage, nominal capacity $K_5$		V/Ah	24/201-225	24/260-300	24/201-225	24/260-300	24/240-330
6.5	Battery weight, min.—max.		kg	150/210	220/250	150/210	220/250	220/300



---

## Truck features:

- BT Powerdrive System
- Powertrak traction system
- Fingertip controls
- Information display
- Electronic braking system
- Electronic regenerative brakes
- Driver detection system
- Sideways battery change

